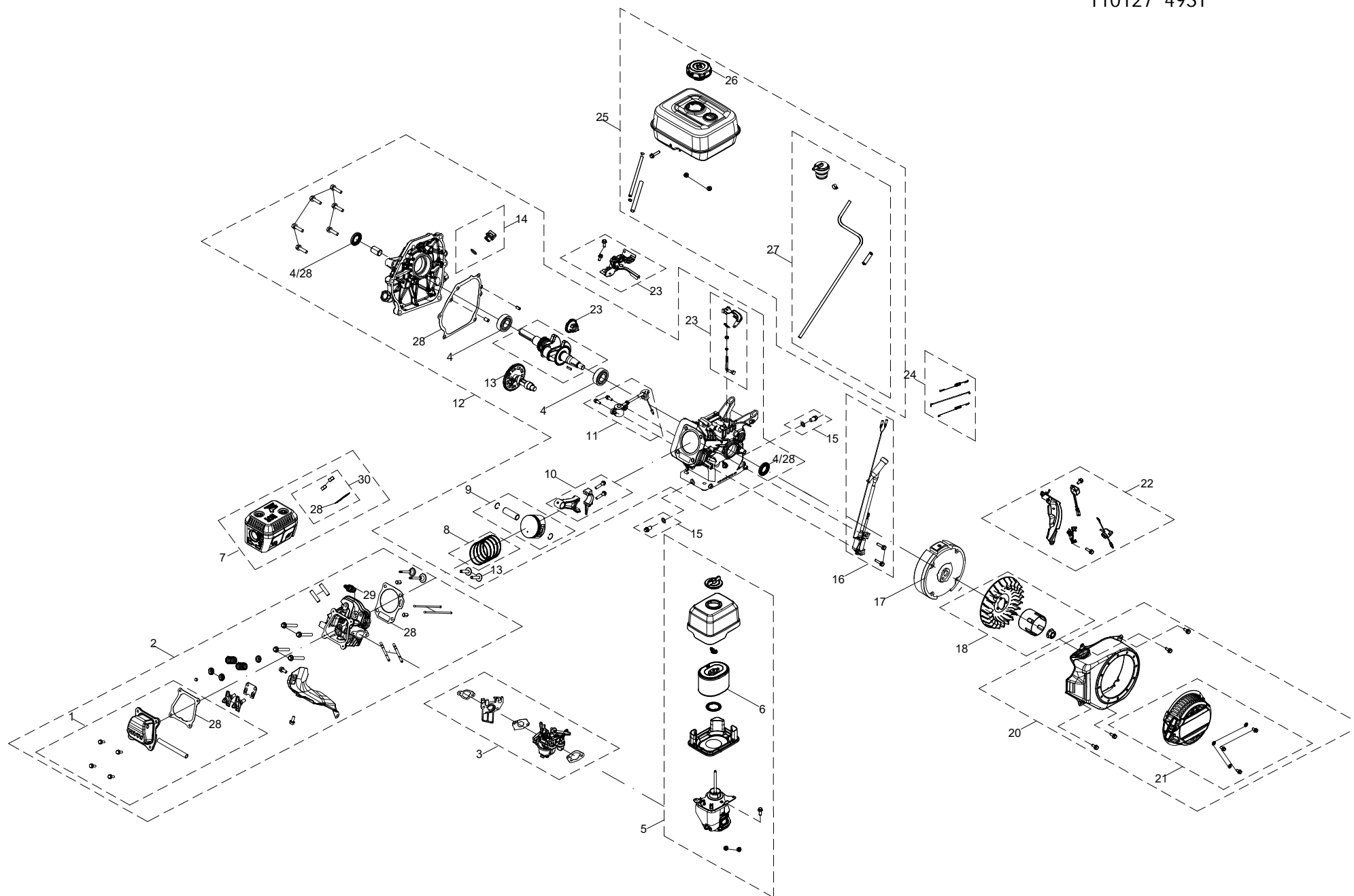


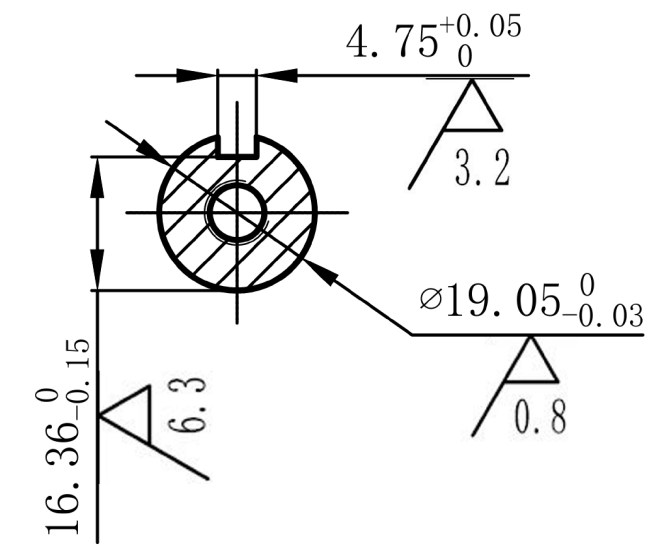
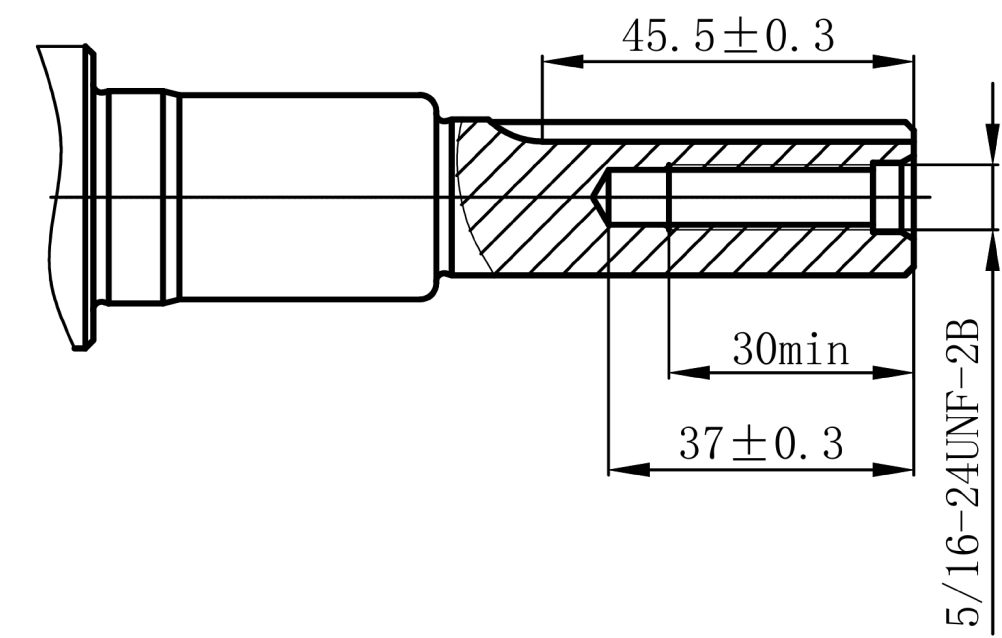
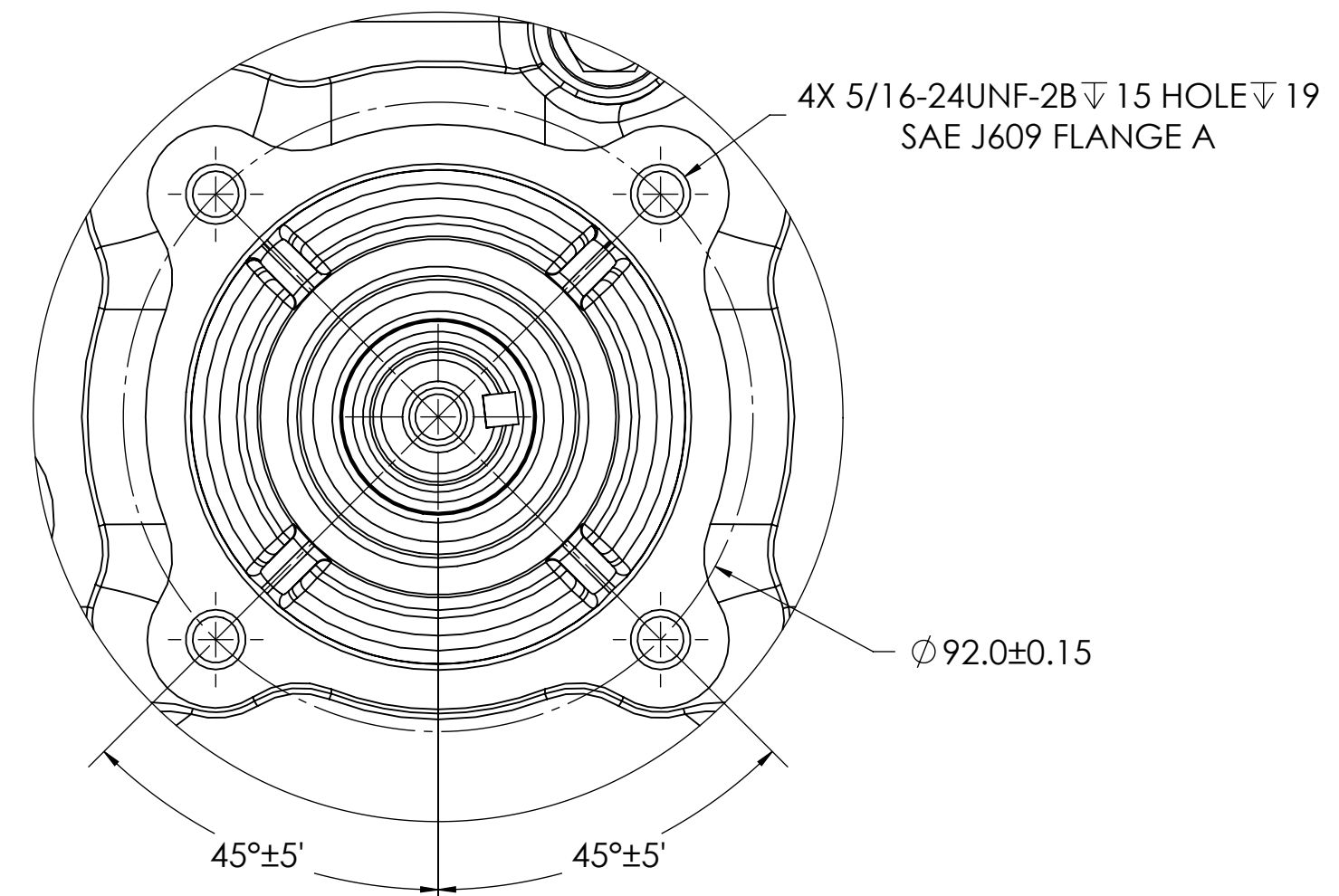
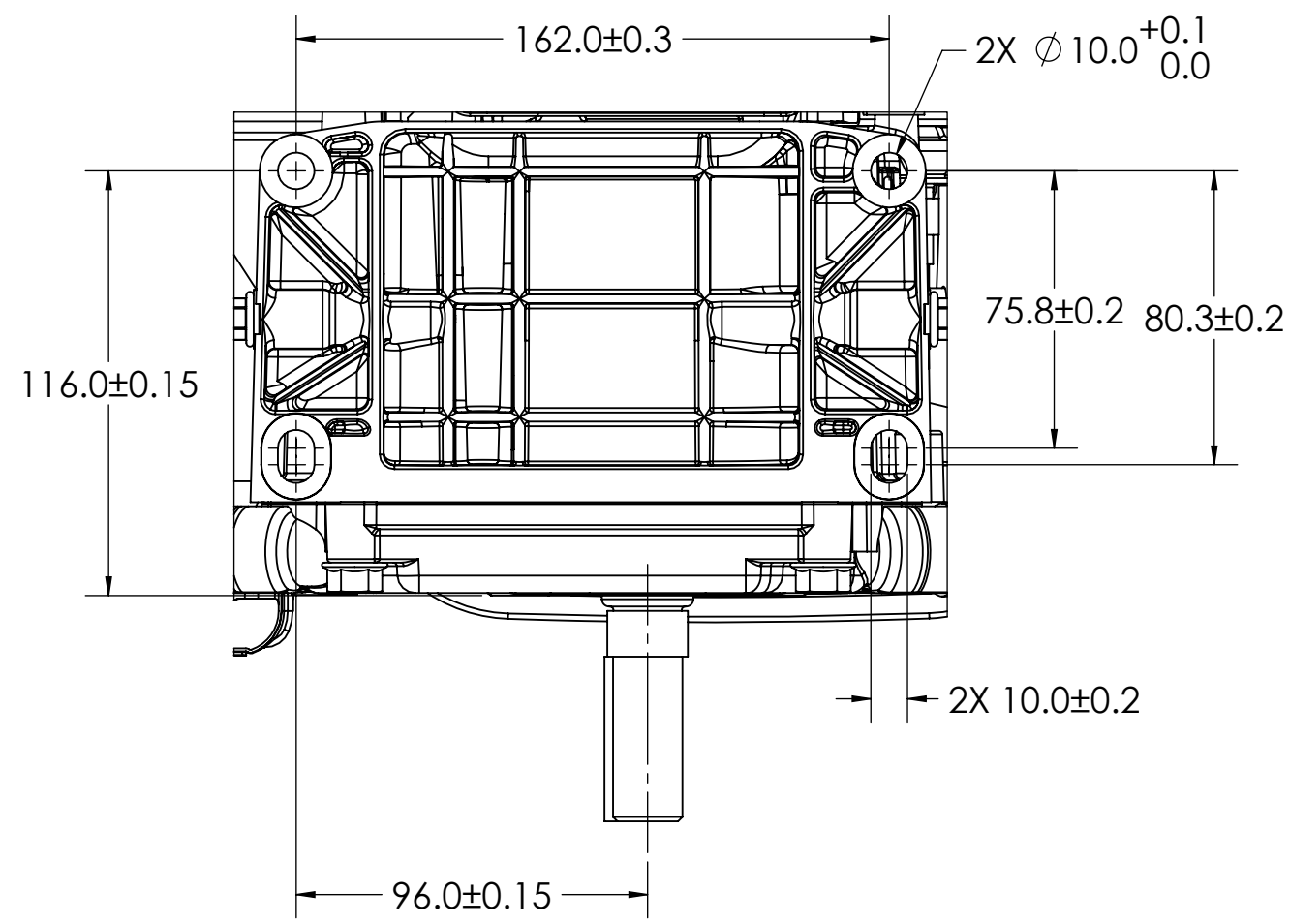
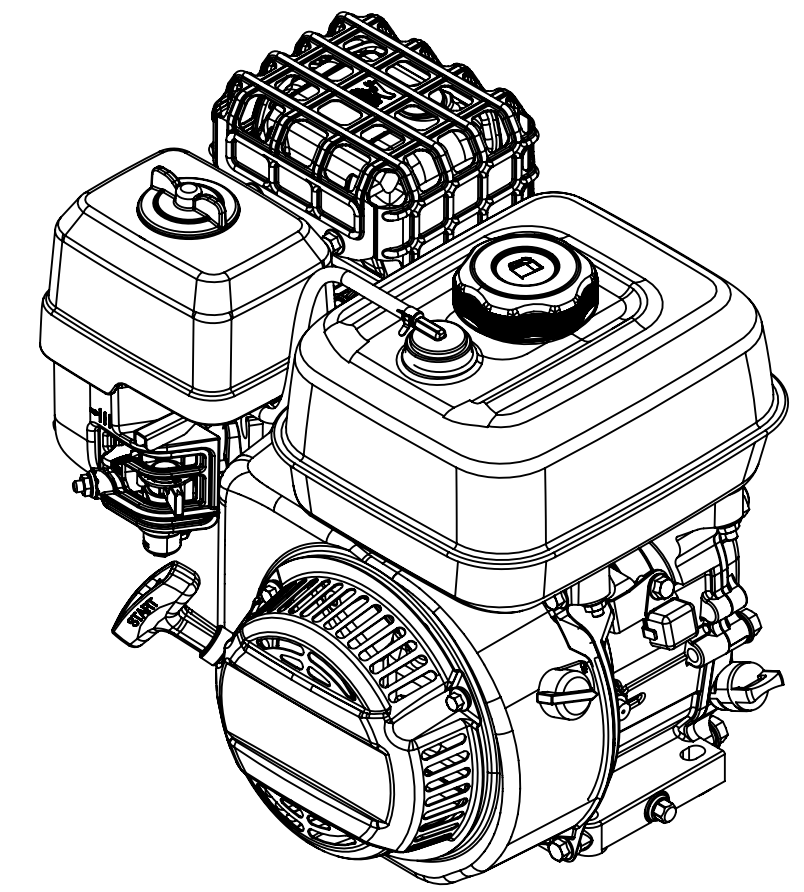
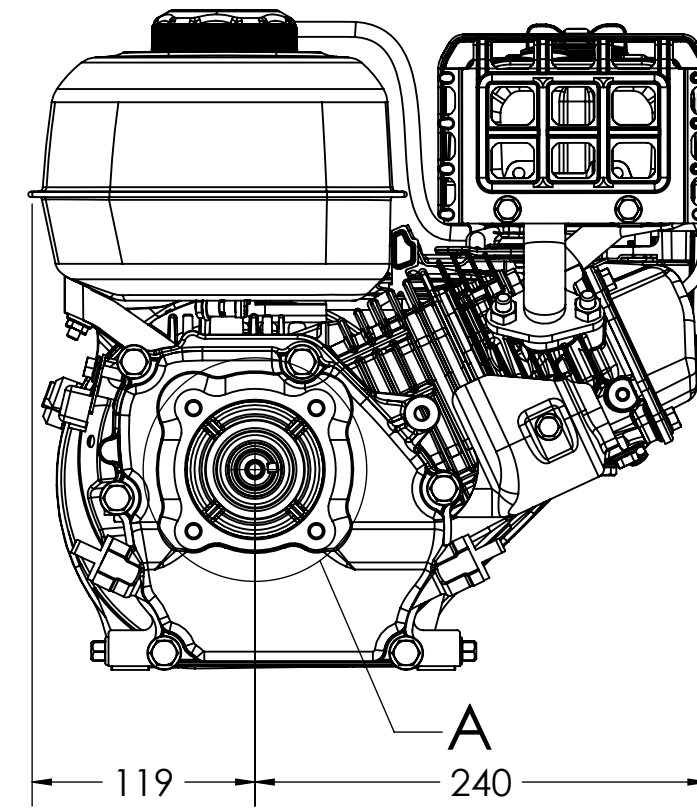
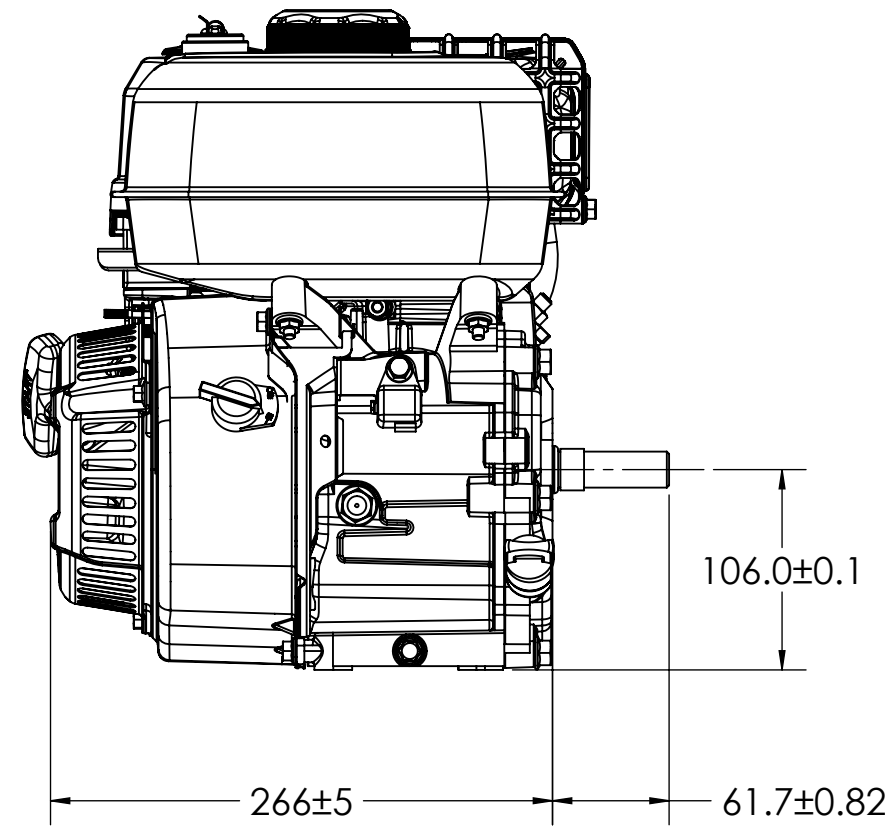
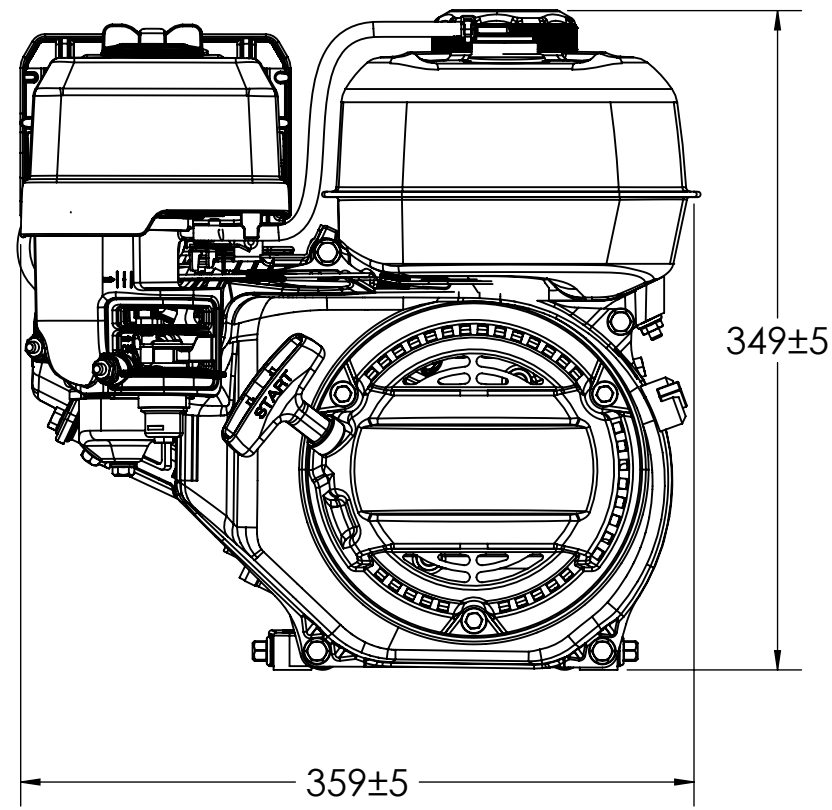
2412102
110127 49ST



ITEM	FNA PARTS NO.	DESCRIPTION	QTY	MATCH
1	7123282	VALVE COVER KIT	1	110127
2	7119993	CYLINDER HEAD KIT	1	110127
3	7117846	CARBURETOR KIT	1	110127
4	7114230	OIL SEAL AND BEARING KIT	1	110127
5	7111114	AIR FILTER ASSEMBLY	1	110127
6	7111115	AIR FILTER ELEMENT	1	110127
7	7123286	MUFFLER KIT	1	110127
8	7117847	PISTON RING SET	1	110127
9	7117848	PISTON KIT	1	110127
10	7111118	CONNECTING ROD KIT	1	110127
11	7123287	LOW OIL SENSOR KIT	1	110127
12	7125207	SHORT BLOCK KIT	1	110127
13	7117850	CAM&TAPPET SET	1	110127
14	7111128	OIL DIP STICK KIT	1	110127
15	7111129	OIL DRAIN PLUG KIT	1	110127
16	7111132	IGNITION MODULE KIT	1	110127
17	7125209	FLY WHEEL	1	110127
18	7111125	STARTER CUP/FAN KIT	1	110127
20	7125203	RECOIL & BLOWER HOUSING KIT	1	110127
21	7125204	RECOIL STARTER KIT	1	110127
22	7111122	KILL SWITCH KIT	1	110127

23	7125208	FIXED THROTTLE & GOVERNOR KIT	1	110127
24	7117859	GOVERNOR SPRING KIT	1	110127
25	7117143	FUEL TANK KIT	1	110127
26	7111121	FUEL CAP	1	110127
27	7120000	ROLL OVER VALVE KIT	1	110127
28	7125205	GASKET KIT	1	110127
29	7111151	SPARK PLUG	1	110127
30	7119648	MUFFLER MOUNTING KIT	1	110127

REV		DESCRIPTION	ECN#	BY	CHECK	APPROVE	DATE
A		INITIAL DRAWING RELEASE					



DETAIL A
SCALE 1 : 1

THIRD ANGLE PROJECTION UNLESS OTHERWISE SPECIFIED: DIMENSIONS ARE IN MM TOLERANCES: X ± 2.5 .X ± 0.76 .XX ± 0.25 ANGULAR: ± 1° BEND: ± 1° ALL MACHINED SURFACES: √ 3.2 INTERPRET GEOMETRIC TOLERANCING PER LATEST: ASME Y14.5M DO NOT SCALE DRAWING	FNA-GROUP 7152 99th Street, Pleasant Prairie, WI 53158 PROPRIETARY AND CONFIDENTIAL THE INFORMATION CONTAINED IN THIS DRAWING IS THE SOLE PROPERTY OF FNA- GROUP. ANY REPRODUCTION IN PART OR AS A WHOLE WITHOUT THE WRITTEN PERMISSION OF FNA-GROUP IS PROHIBITED.	DESCRIPTION: CRX165, RECOIL START, GENERAL PURPOSE	REV: A
	WEIGHT: 15000g MATERIAL: MULTIPLE	BREAK ALL SHARP EDGES AND REMOVE BURRS	DWG. NO. 2412102CUST